

SPECIFICATIONS

CONTACT RATING: 25mA @24 VDC (switching Rating)
 100mA @50VDC(non-switching Rating)
 ELECTRICAL LIFE: 2,000 operations min. @ 24VDC,25mA
 CONTACT RESISTANCE: 50 mΩmax. initial
 INSULATION RESISTANCE: 100 MΩmin. at 500 VDC
 DIELECTRIC STRENGTH: 500 VAC /1 min
 OPERATION FORCE: 1000 gf max
 STORAGE TEMPERATURE: -40° C to 85° C
 CIRCUIT: 3 SWITCHING POSITIONS

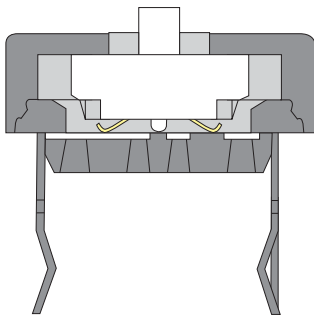
MATERIALS

COVER: UL94V-0 PBT, Thermoplastic(Black)
 BASE: UL94V-0 PBT, Thermoplastic(Black)
 ACTUATOR: UL94V-0 Nylon, Thermoplastic(white)
 CONTACT PLATING: Gold plating over nickel
 TERMINAL: Tin-Lead solder

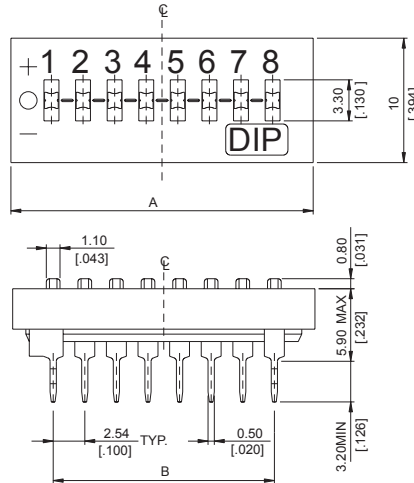
SOLDERING AND CLEANING PROCESSES

△ Keep all switch contacts in the "O" for all operation
 △ WAVE SOLDERING: Recommended temperature at 500° F (260° C) max.5 seconds.
 △ HAND SOLDERING: Use a soldering iron of 30 watts. controlled at 608° F(320° C) , 2 seconds.

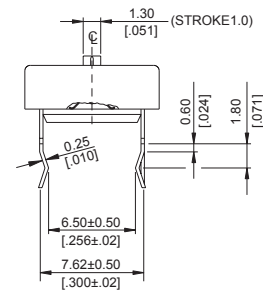
CONTACT SYSTEM OF □ TDS SERIES



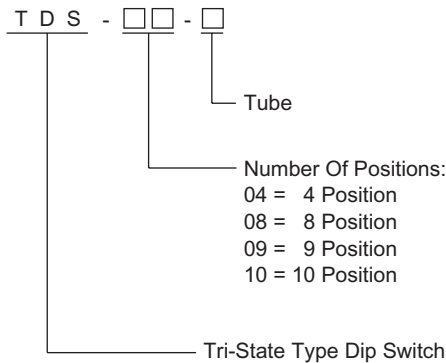
DIMENSIONS



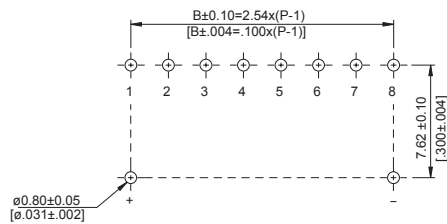
TERMINAL TYPE



HOW TO ORDER

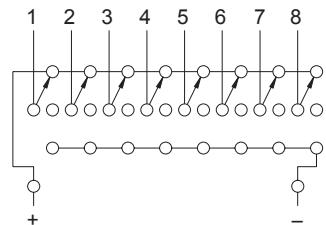


P.C.B LAYOUT



MODELS

TDS-10	10	29.38[1.157]	22.86[.900]
TDS-09	9	26.84[1.057]	20.32[.800]
TDS-08	8	24.30[.957]	17.78[.700]
TDS-04	4	14.14[.557]	7.62[.300]
PROD NO.	NO. OF POS.	DIM. A	DIM. B



CIRCUIT DIAGRAM

* All TRI-STATE DIP switches are shipped in standard IC tubes with all poles in the "O" position.

E
7