

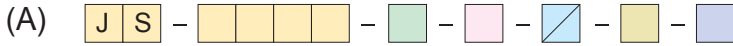
JS-606 (S.P rocker switch) / JS-606P (DP. rocker switch)

SPECIFICATIONS

- Rating: N/ no safety
K/ 6A 125VA/3A 250VAC (UL~CSA)
H/ 10A 125VAC/ 6A 250VAC (UL-KEMA)
L/ 5A 125VAC
- CONTACT RESISTANCE: 20 mΩ(max)
- Insulation resistance: DC 500V 100MΩ(Min)
- Dielectric strength: 1500 VAC/ 1minute.
- Safety approval:

MATERIALS

- Housing Nylon #66 (UL 94V-2)
- Rocker Nylon #66 (UL 94V-2)
- Terminal: Copper alloy Sn or Ag Plated
- Contact: Ag-cd-O alloy
- Spring: Music wire



Model	Circuit	Terminal	Color Rocker/Housing	Stamp	Rating
JS-606	JS-606		Q S SI P PCB R G	1	N No safety
	A	2P ON-OFF		2	K 6A
	B	3P ON-ON		3	H 10A
	C	3P ON-OFF-ON		4	L 5AL
	D	2P (ON)-OFF		5	
	E	2P ON-(OFF)		6	
JS-606P	F	3P (ON)-ON	7		
	I	2P indicator	8		
	L	4P with led	9		
	JS-606P		10		
	A	4P ON-OFF	11		
	B	6P ON-ON	12		
	C	6P ON-OFF-ON	13		
	D	4P (ON)-OFF	14		
	E	4P ON-(OFF)			
	F	6P (ON)-ON			
	AA	4P double ON-OFF			
	AB	5P ON-OFF ON-ON			
BB	6P double ON-ON				
AI	4P ON-OFF with INDICATOR				
AL	4P illuminated				

Stamp:

Apply for JS-606

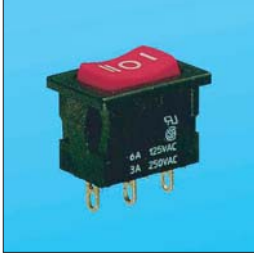
1	2	3	4	5	6	7	8	9	10	11	12	13	14

Apply for JS-606P

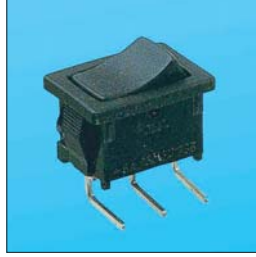
1	2	3	4	5	6	7	8	9	10	11	12	13	14

JS-606

JS-606C-S-R/B-6-□



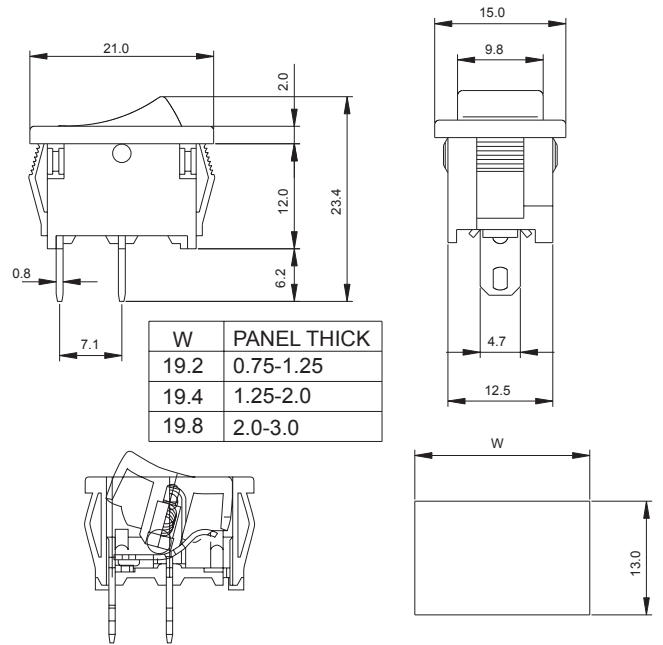
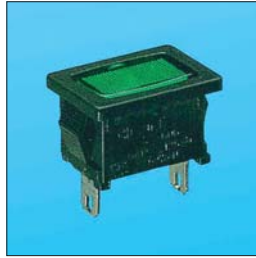
JS-606B-R-B/B-1-□



JS-606A-G-B/B-3-□

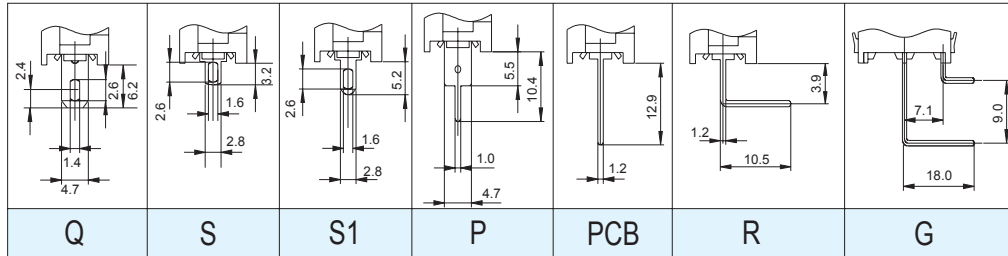


JS-606I-Q-G/B-1-□



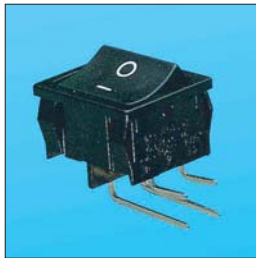
B
16

TERMINAL OPTION:

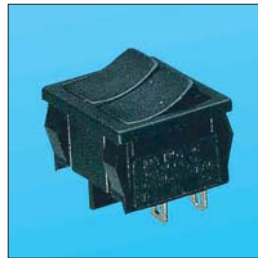


JS-606P

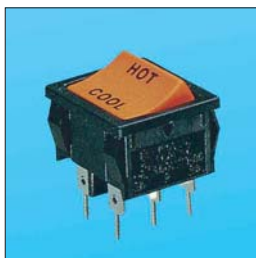
JS-606PA-G-B/B-4-□



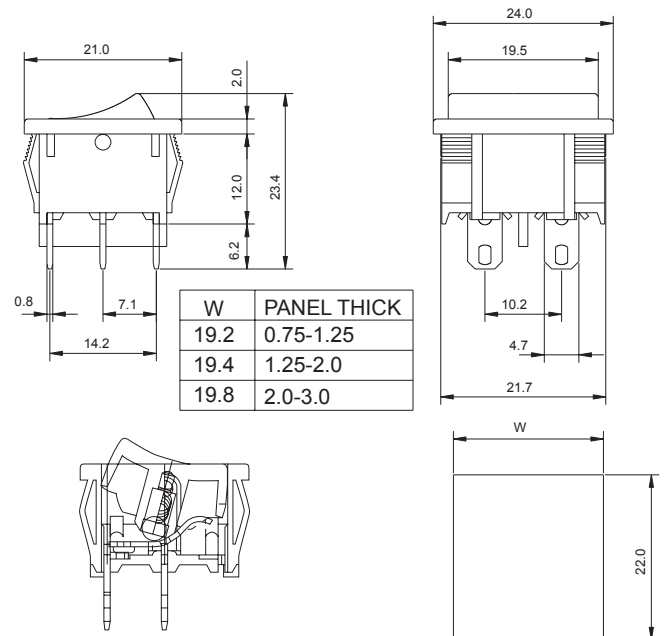
JS-606PAA-Q-B/B-1-□



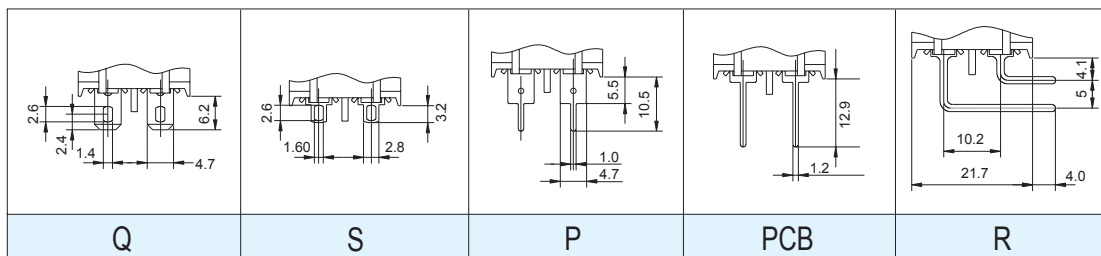
JS-606PB-P-O/B-6-□



JA-606PAI-Q-R/B-2-□



TERMINAL OPTION:



JS-608 SERIES

SPECIFICATIONS

1. Rating: 10A 125/250 VAC
2. Contact resistance: 20 mΩ(max.)
3. Insulation resistance: DC 500V 100MM(Min)
4. Dielectric strength: 1500 VAC/ 1minute
5. Safety approval:

MATERIALS

1. Housing Nylon #66 UL 94V-2
2. Rocker: Nylon #66UL 94V-2
3. Terminal: Copper alloy Sn or Ag Plated
4. Contactor: Ag-cd-O alloy
5. Spring: Music wire

JS-608 -

Mounting hole	
R	22x28m/m
F	22x30m/m

Circuit	
A	4P ON-OFF
B	6P ON-ON
C	6P ON-OFF-ON
D	4P (ON)-OFF
F	6P (ON)-ON
G	6P (ON)-OFF-(ON)
H	6P ON-OFF-(ON)
AL	4P illuminated
BL	6P illuminated

Rocker type	
0	
1	

Color Rocker/Housing	
B	Black
W	White
R	Red
I	Ivory
G	Green
H	Gray
Y	Yellow

Stamp						
1	2	3	4	5	6	7

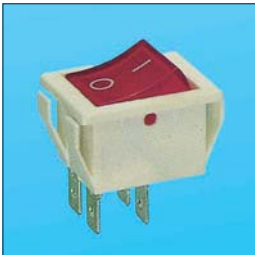
JS-608RA-O-B/ B-2



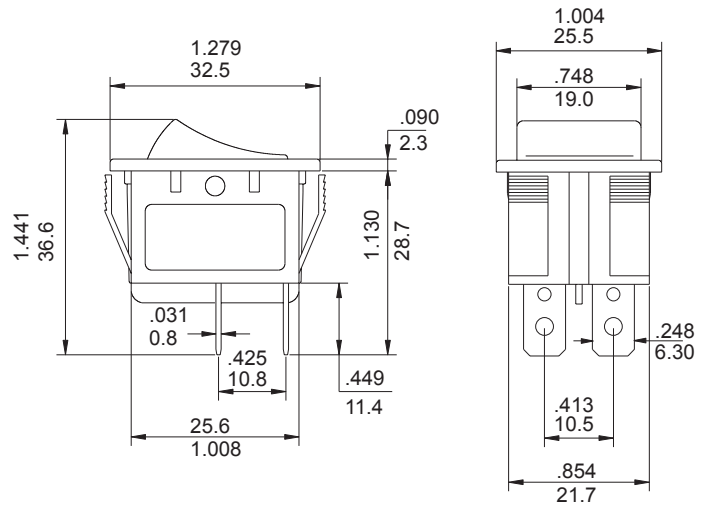
JS-608FG-O-R/ W-4



JS-608RAL-O-R/ W-2



JS-608FBL-1-Y/ W-2



	W	PANEL THICK
R	28.0(1.102)	0.75(.030)~1.25(.049)
	28.2(1.110)	1.25(.049)~2.0(.079)
	28.5(1.122)	2.0(.079)~3.0(.118))

